

## Hybridryer®

HBD - SERIES

### BENEFITS AND FEATURES

- Volume flows of 1,200 to 9,000 m<sup>3</sup>/h
- Low operating expenses in comparison with heat regeneration desiccant dryers
- Compact, complete operational unit
- Highest energy efficiency at low pressure dew points
- Constant pressure dew point
- Generously dimensioned components guarantee low differential pressure
- Selectable summer/winter operation (+3°C / -40°C)
- Efficient finest oil filtration at the coldest point
- Extended lifetime of the absorbent through extremely low regeneration temperatures



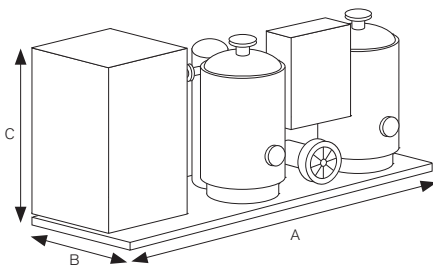
Technical Data	1200 - 4000	5000 - 9000
<b>Refrigeration dryer</b>		
Heat exchanger	Stainless steel (copper welded)	
Air cooling	●	
Water cooling	○	
<b>Condensate separating system</b>		
Condensate drain	Elektronic, level-controlled	
Integrated filtration at coldest point	●	
Insulation of all cold parts	●	
Bypass: insulated with valve	●	
Digital-Scroll compressor	●	
Cylinder cut-off	–	●
Potential free alarm contact	●	
<b>Desiccant dryer</b>		
Desiccant	Activated Alumina	
Regeneration system	External heat regeneration system	
Pressure dew point control	●	
Insulation of vessels, warm and cold parts	●	
Dust filter at dryer inlet	●	
Potential free alarm contact	●	
Automatic summer/winter operation	○	

General Data	
Medium	Compressed air
Housing	Refrigeration dryer
Colour	RAL 5015 (blue)
Location	Indoors

● standard ○ On request – not applicable

Model	Flow Rate*	Connection (Flange)	Dimensions			Weight	el. Connection	Power Consumption				
			A	B	C			air-cooled		water-cooled		
								summer	winter	summer	winter	
	m <sup>3</sup> /h		mm			kg	V/Ph/Hz	kW				
HBD 1200	1,200	DN 80	4,278	1,540	2,219	2,500	400/3/50 (option: 500/3/50)	2.4	5.1	1.9	4.6	
HBD 1500	1,500	DN 100						3.4	6.8	2.8	6.2	
HBD 2000	2,000	DN 150						4.9	9.3	4.3	8.7	
HBD 2500	2,500		6.1	11.4	5.3	10.5						
HBD 3000	3,000		7.2	13.9	6.5	13.2						
HBD 4000	4,000		9.9	18.4	8.3	16.7						
HBD 5000	5,000	DN 150	5,144	3,236	2,402	5,500	400/3/50 (option: 500/3/50)	11.1	20.8	10.0	19.7	
HBD 6000	6,000		5,159	3,254				6,250	12.8	24.4	11.7	23.3
HBD 7000	7,000	DN 200	5,479	3,555				7,300	13.7	27.0	12.6	25.9
HBD 8000	8,000		5,497	3,675				7,700	14.5	29.4	13.4	28.3
HBD 9000	9,000			5,497				3,675	8,900	18.5	34.2	17.4

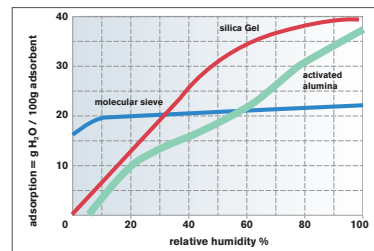
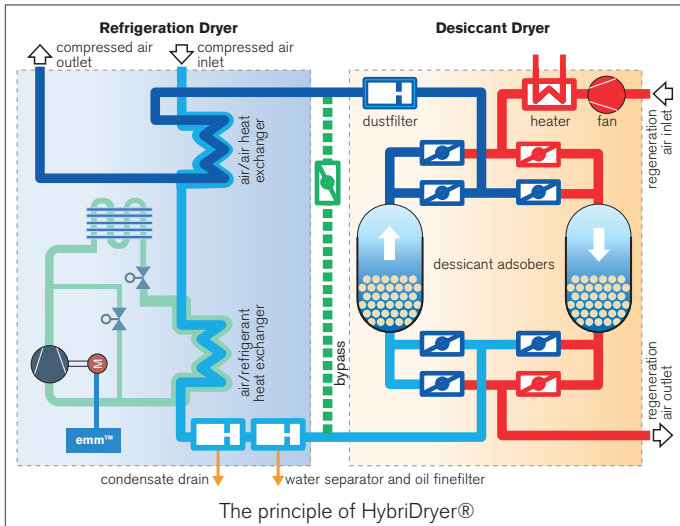
\* ISO 7183, based on the intake volume of the compressor at +20°C and 1 bar (a), operating pressure 7 bar (g), inlet temperature +35°C, ambient or cooling water temperature +25°C, Pressure dew point -40°C. Technical data and specification are subject to change without prior notice



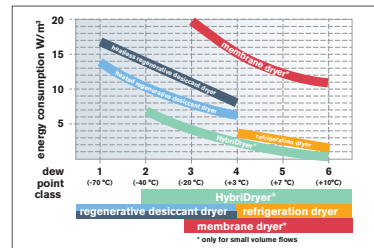
HBD 400 - 3000

Design Data	Min.	Nom.	Max.
Operating pressure	4 bar (g)	7 bar (g)	10 bar (g)*
Inlet temperature	+5°C	+35°C	+50°C
Ambient temperature	+3°C	+25°C	+45°C

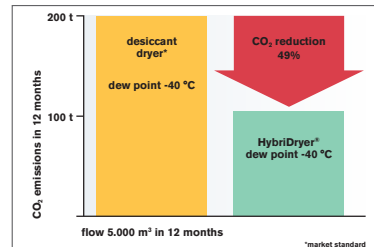
\* 16 bar (g) as option



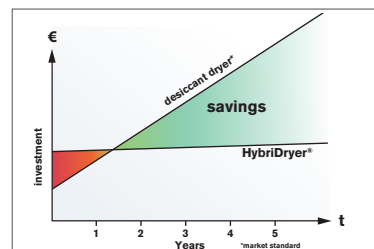
Ideal condition for the adsorbent activated alumina



Dew point classes and their energy requirements



CO<sub>2</sub> reductions with the HybridDryer®



Cost savings with the HybridDryer®



Industrial Technologies & Services ATS Moers GmbH  
 Konrad-Zuse-Straße 25  
 47445 Moers, Germany  
 Tel.: +49 (0) 28 41 / 8 19-0 | Fax: +49 (0) 28 41 / 8 19  
 83 E-Mail: insidesales\_moers@spxfow.com